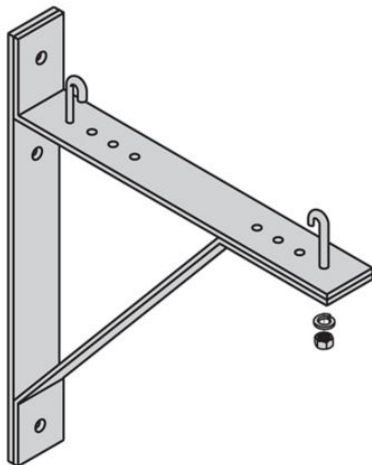


# Eaton SB213218FB

Catalog Number: SB213218FB

Eaton B-Line series runway to rack support kit, Use to secure cable runway to top angle of network, 6" upright network equipment rack top plate runway support kit, A36 structural steel, Flat black powder coat



## General specifications

<b>Product Name</b>	<b>Catalog Number</b>
Eaton B-Line series runway to rack support kit	SB213218FB
	<b>UPC</b>
	799038331308
<b>Product Length/Depth</b>	<b>Product Height</b>
7 in	2.75 in
<b>Product Width</b>	<b>Product Weight</b>
18.38 in	10 lb
<b>Certifications</b>	
UL Listed	

## Product specifications

### Type

6" upright network equipment rack top plate runway support kit

### Material details

Flat black powder coat A36 steel

### Application

Use to secure cable runway to top angle of network

## Resources

### Brochures

[Redi-Rail runway brochure](#)

### Catalogs

[Cable runway and accessories section of datacomm catalog](#)

### Specifications and datasheets

[Eaton Specification Sheet - SB213218FB](#)



Eaton Corporation plc  
Eaton House  
30 Pembroke Road  
Dublin 4, Ireland  
Eaton.com  
© 2023 Eaton. All Rights Reserved.

Eaton is a registered trademark.

All other trademarks are property of their respective owners.



[Eaton.com/socialmedia](https://www.eaton.com/socialmedia)